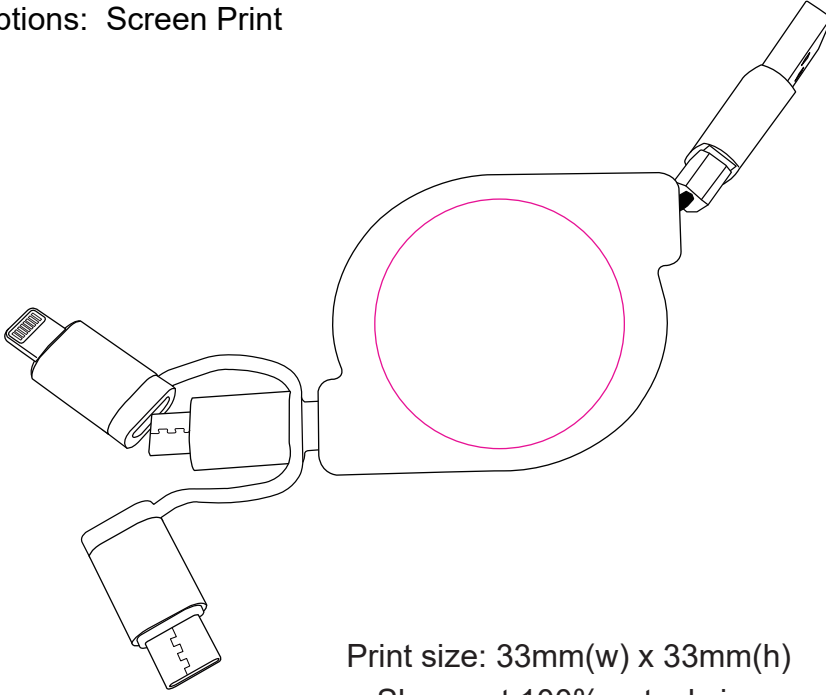


Product: PCBA80
Product Size: 48 x 40 x 17 mm (body), 90cm(cable length)
Decoration Options: Screen Print

side1



Print size: 33mm(w) x 33mm(h)
Shown at 100% actual size

side2

